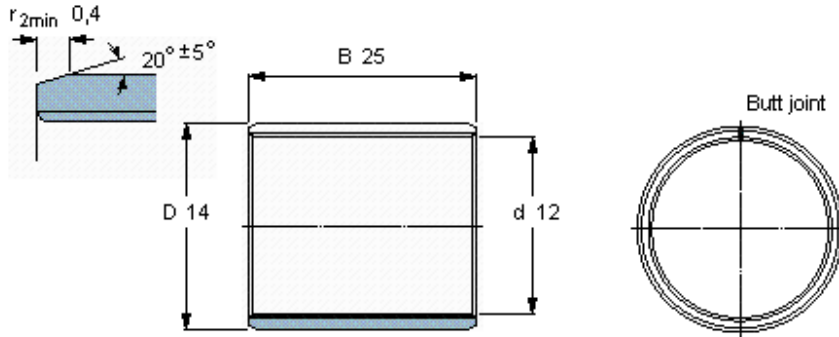


Composite dry sliding bushings, metric dimensions

Principal dimensions			Basic load ratings		Mass	Designation
d	D	B	dynamic C	static C0		
mm	14	25	kN		kg	-
12			24	75	0,0076	PCM 121425 E



Specific load factor K 80
Material constant K_M 480